
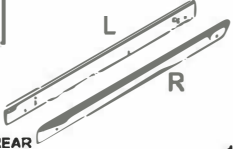
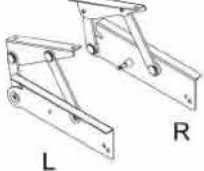







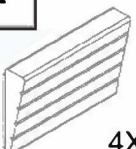






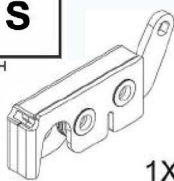
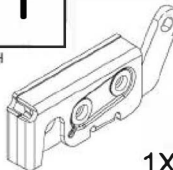



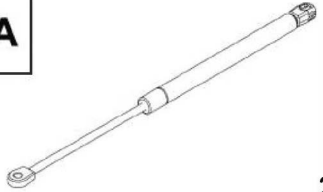

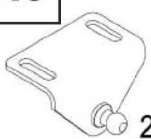

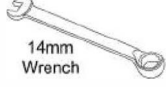
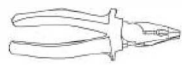


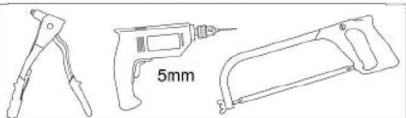

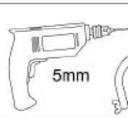


# UpStoneEvolve

INSTALLATION INSTRUCTIONS EVO450 - EVO451

TOYOTA HILUX REVO 2016+

<b>A</b>  1X	<b>B</b>  1X	<b>C</b>  1X	<b>D</b>  2X		
<b>E</b>  4X	<b>F</b> M8x25mm  4X	<b>G</b> M8 x16 Stainless Steel Washer  6X	<b>H</b> M8 Stainless Steel Spring Washer  2X	<b>I</b>  2X	<b>J</b>  2X
<b>K</b>  4X	<b>L</b>  2X	<b>M</b> M8 Nylock  4X	<b>N</b> M6x18  12X	<b>O</b> M6x13mm Zinc  12X	<b>P</b> M6x10mm  8X
<b>R</b> M8 x16 Zinc Washer  4X	<b>S</b> RH  1X	<b>T</b> LH  1X	<b>U</b> M5 Cable Bolt, Washer & Dome Nut  2X	<b>V</b>  2X	
<b>W</b>  2X	<b>X</b> 	<b>Y</b> 	<b>Z</b> 	<b>AA</b>  2X	
<b>AB</b>  1X	<b>AC</b>  2X	<p><b>Note 1:</b> If at any stage of installation you find your sportlid to be an unacceptable fit please contact the manufacturer before continuing.</p> <p><b>Note 2:</b> If required, use Under Rail Bed Liner only. <b>NOT FOR USE WITH OVER RAIL BED LINER!</b></p> <p><b>Tools Required:</b></p>         <p><b>OPTIONAL</b></p>			

Fitting Kit Number	Product	Revision	Date	Page
<b>KIT450-451-RLBF</b>	Upstone Lid	1	10-09-2013	1/12

**1**

Remove ladder rack

Note 2: If required, use Proform Under Rail Bed Liner only. Not for use with Over Rail Bed Liner.

Follow guide lines to trim liner in front corners.

**2**

$\alpha 1$   
 $\alpha 2$   
 $\alpha 3$   
 $\alpha 4$

**T** 4X

Vehicle Model	$\alpha$
Toyota Hilux Revo 2016+ double & extra cab	2

**3**

**B**

**T** 4X

110mm

70mm

**2X**

**4**

**B**

**L**

**R**

**2X**

**L**

**B**

**K**

**H**

**M**

**M**

**L**

FINGER TIGHTEN ONLY

**5**

Place front of side mounting brackets back from inside corners of the cargo box - See table for measurement

$\beta$  - See Table

$\varphi$  - See Table for hole selection

MAX TORQUE SETTING = 8.5Nm OR 6.3 Ft/Pounds

Vehicle Model	$\beta$	$\delta$	$\varphi$
Toyota Hilux Revo 2016+ double & extra cab	67mm	4	3

**B** 2X

**F** 2X

**H** 2X

**G** 2X

$\delta 1$

$\delta 2$

$\delta 3$

$\delta 4$

$\varphi 1$

$\varphi 2$

$\varphi 3$

$\varphi 4$

$\varphi 5$

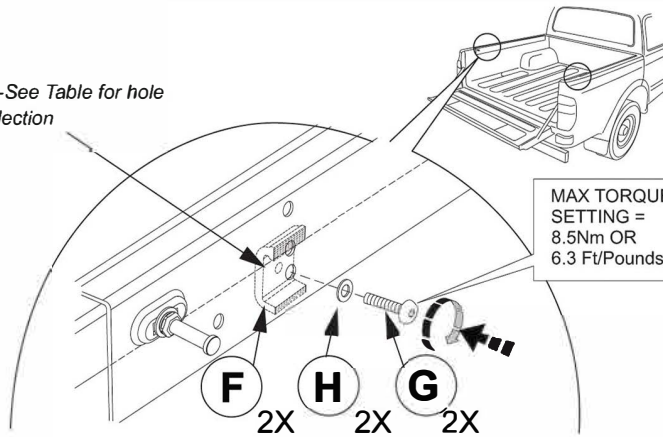
$\varphi 6$

$\varphi 7$

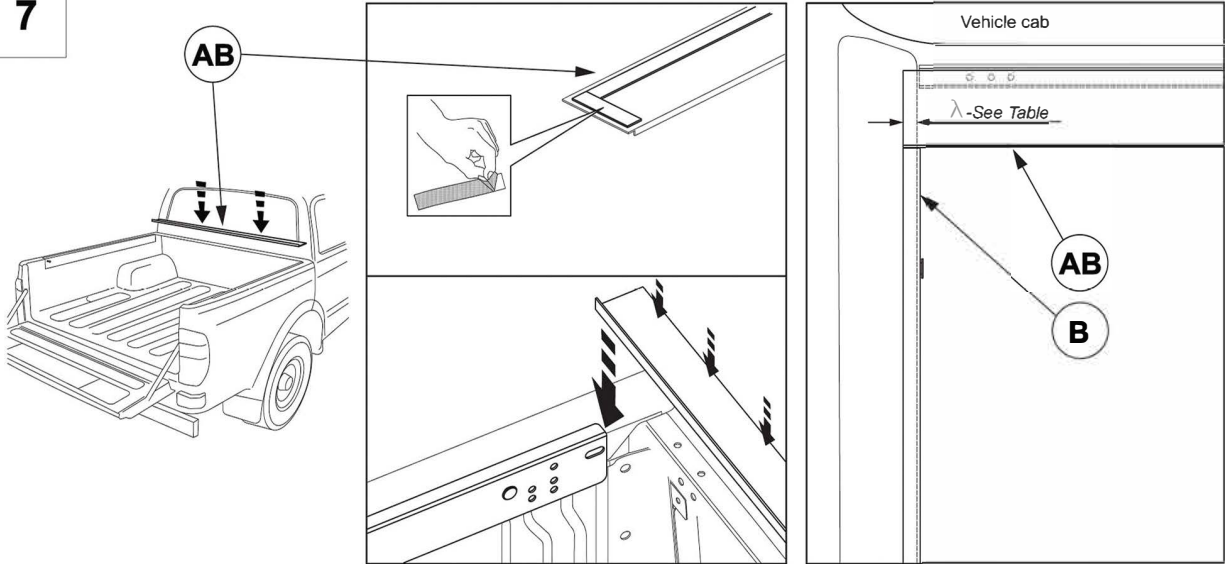
Fitting Kit Number	Product	Revision	Date	Page
KIT450-451RLBF	Upstone Lid	1	01.07.2016	2 of 7

6

∅ - See Table for hole selection



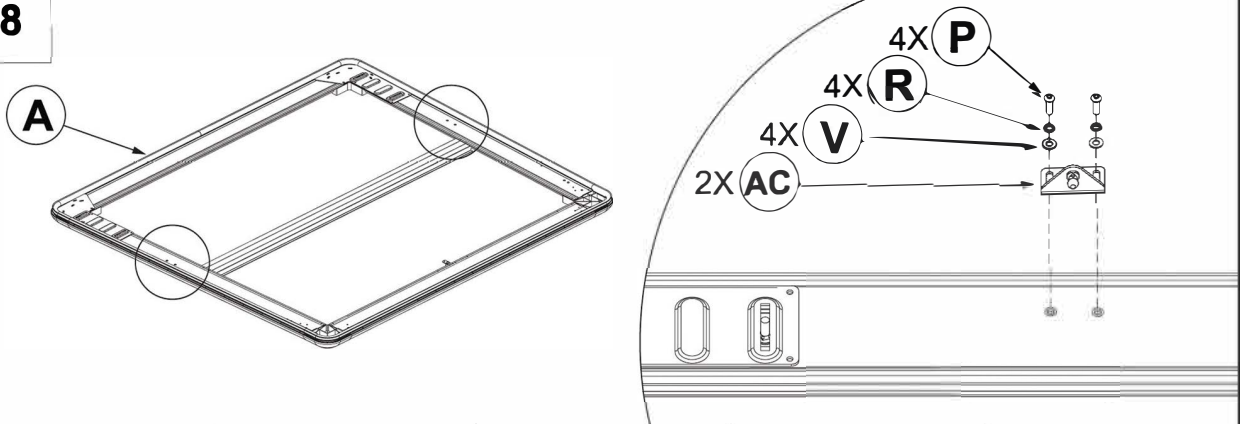
7



Vehicle Model	λ
Toyota Hilux Revo 2016+ Double & Extra cab	34mm

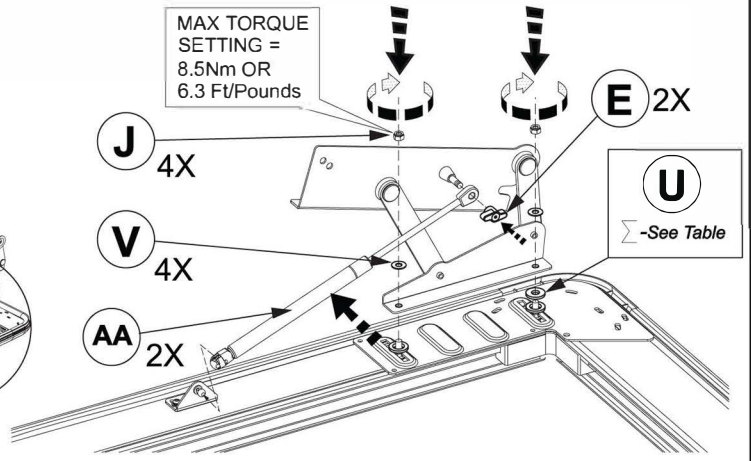
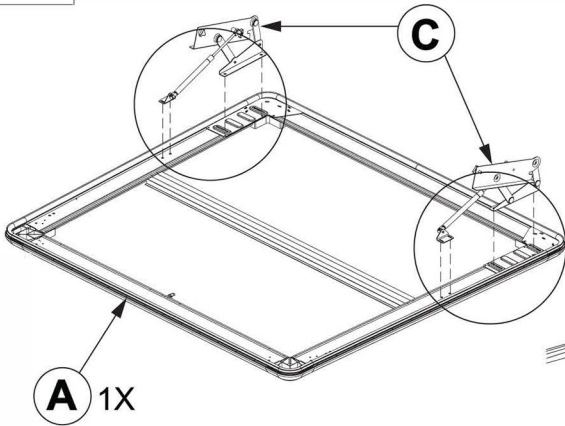
**!** DO NOT apply below 15°C.  
Apply pressure to part. Adhesive is pressure activated.  
Allow 3hrs minimum to cure before installing lid

8



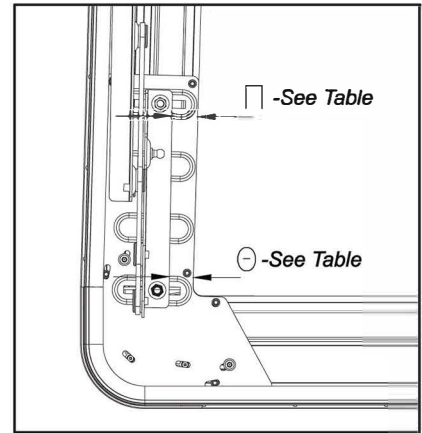
Fitting Kit Number	Product	Revision	Date	Page
KIT450-451RLBF	Upstone Lid	1	01.07.2016	3 of 7

9

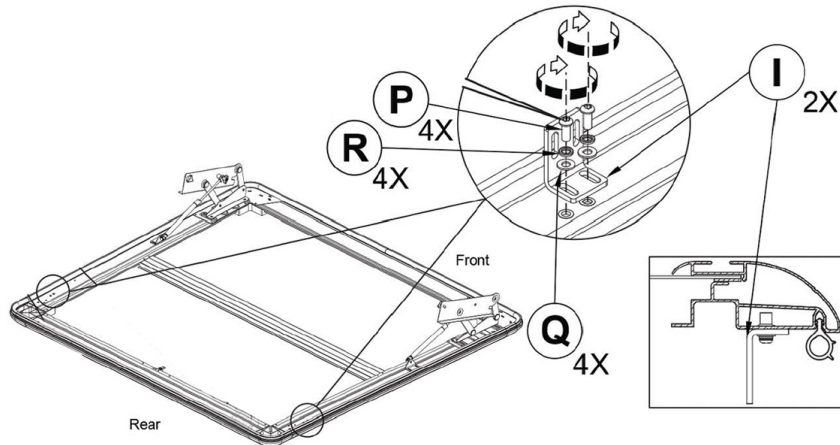


U  
-See Table

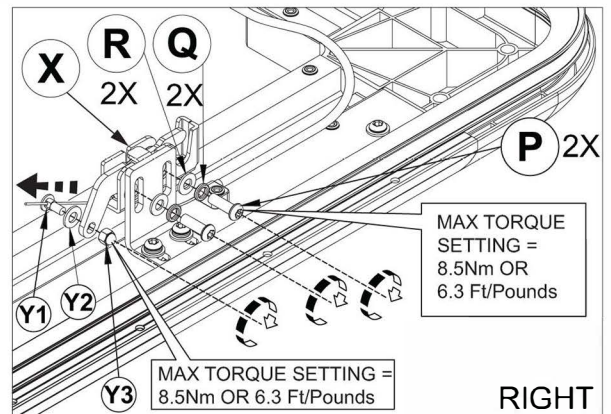
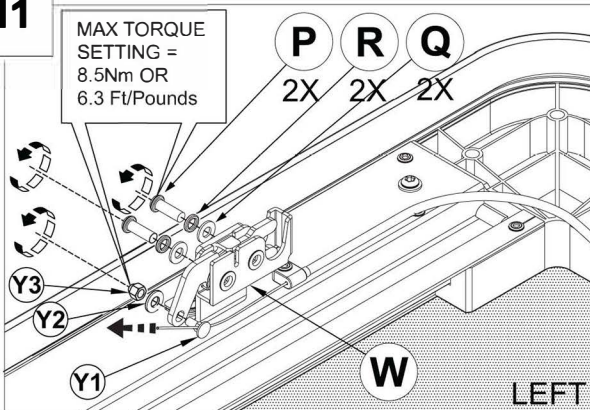
Vehicle Model	□	⊖	Σ
Toyota Hilux Revo 2016+ Double & Extra cab	40mm	40mm	-



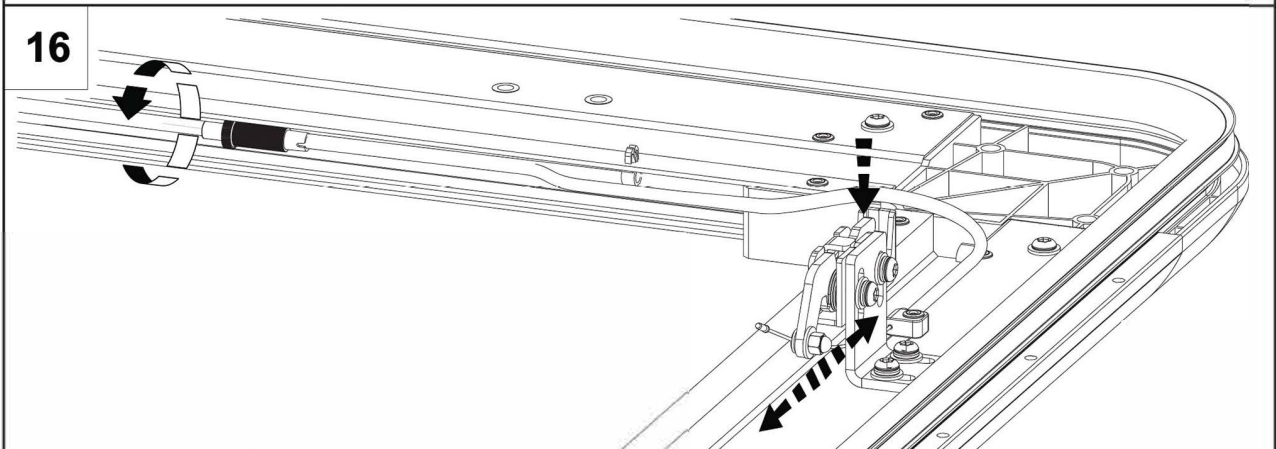
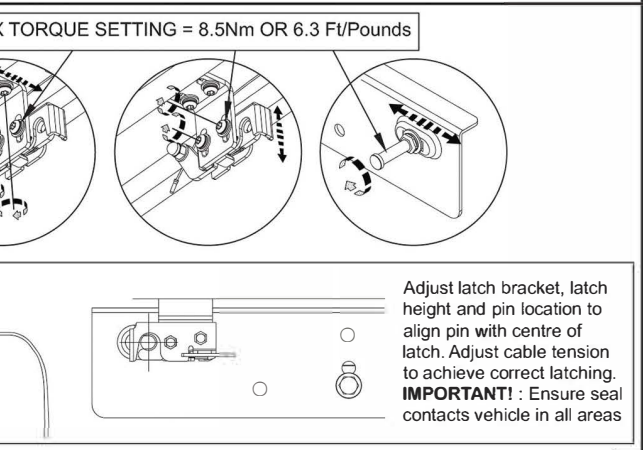
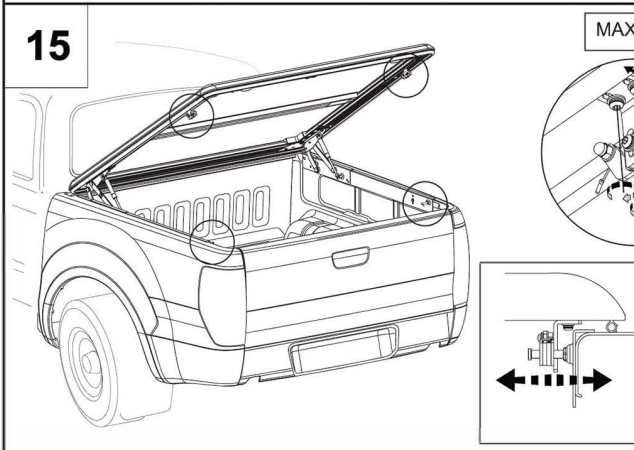
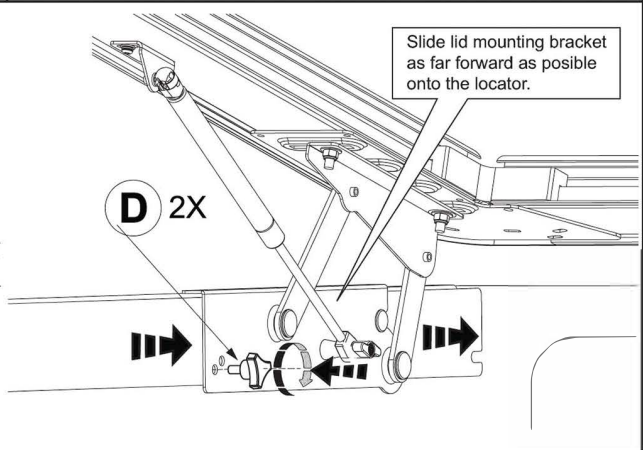
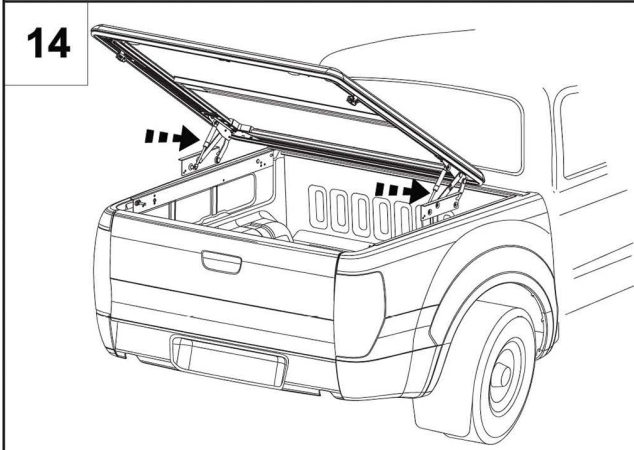
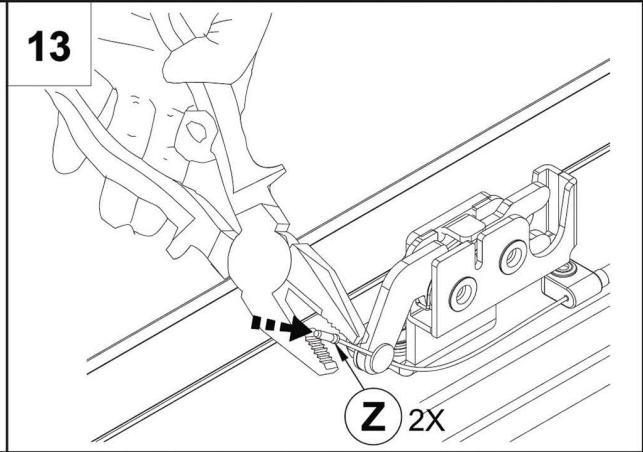
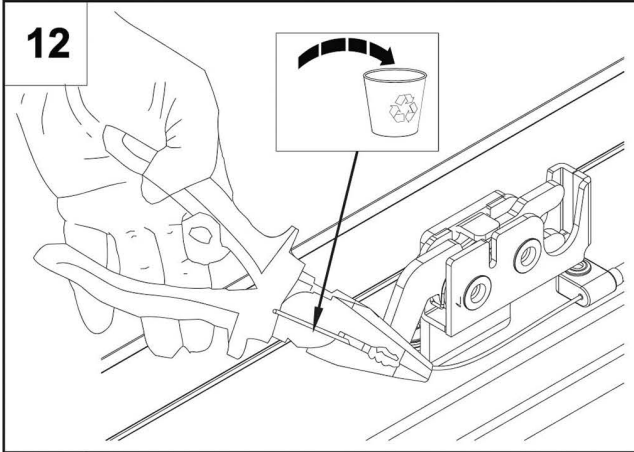
10



11



Fitting Kit Number	Product	Revision	Date	Page
KIT450-451RLBF	Upstone Lid	1	01.07.2016	4 of 7

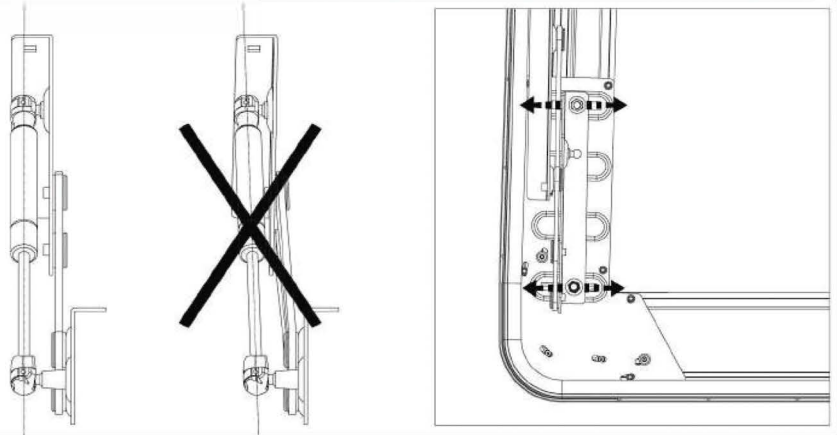


Fitting Kit Number	Product	Revision	Date	Page
KIT450-451RLBF	Upstone Lid	1	01.07.2016	5 of 7

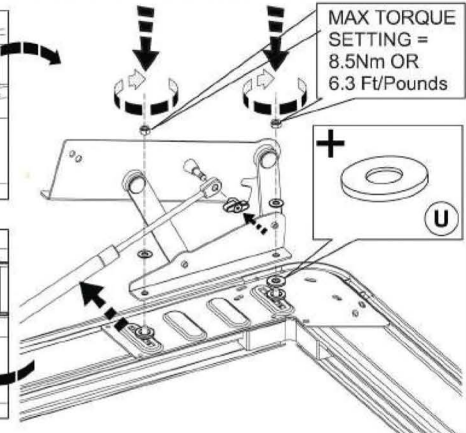
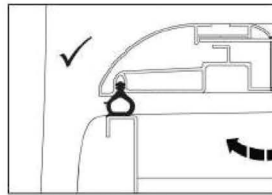
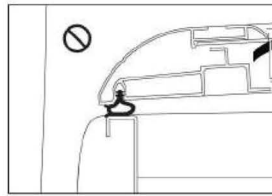
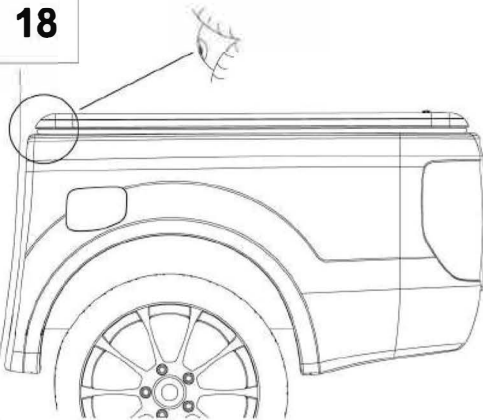
17



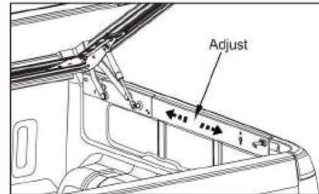
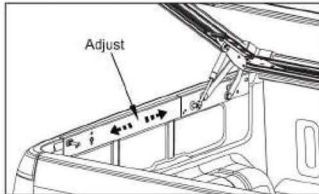
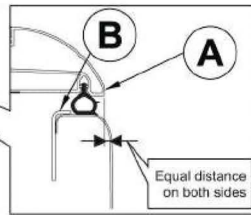
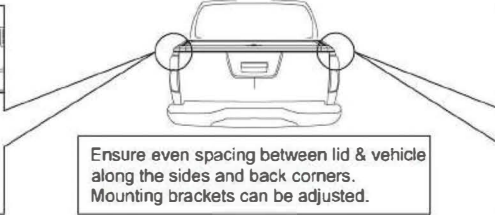
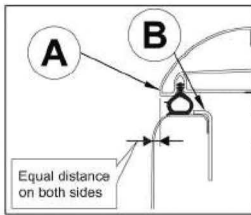
Insure hinge is not twisted.  
Adjust connection to lid if nessessary.



18



19



Fitting Kit Number	Product	Revision	Date	Page
KIT450-451RLBF	Upstone Lid	1	13.03.2017	6 of 7

After installation carefully and thoroughly clean all debris from the inside of the cargo box.  
**Retain these instructions for future reference**



# CAUTION!

- NEVER allow people or animals under the closed cover
- Do not place unsealed solvents or chemicals under the cover
- Do not stand or place heavy objects on the cover
- Do not open lid when under load.
- Close the cover before operating the vehicle
- Do not allow oil, solvents or chemicals to contact the cover
- Clean only with a mild detergent and water solution

Fitting Kit Number	Product	Revision	Date	Page
KIT450-451RLBF	Upstone Lid	1	13.03.2017	7 of 7

**ISUZU  
NISSAN NAVARA  
TOYOTA HILUX  
VOLKSWAGEN AMAROK**



Item Code

**Codice Articolo**

*Référence Article*

**: RUP/470/IX**

**GB**


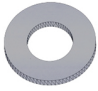
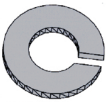
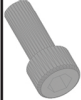

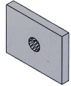


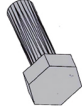

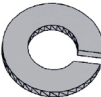
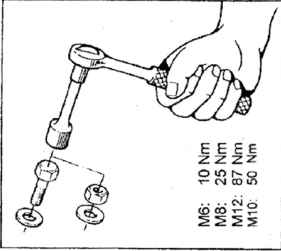
STAINLESS STEEL  
MEDIUM BAR

**FR**

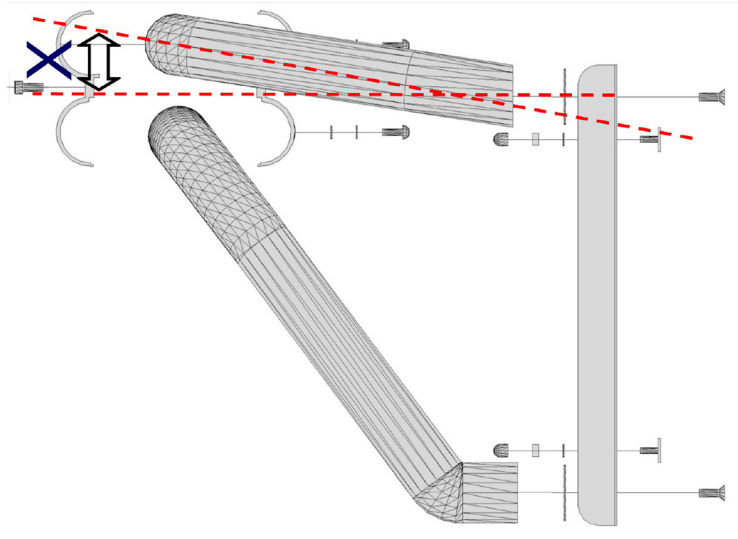
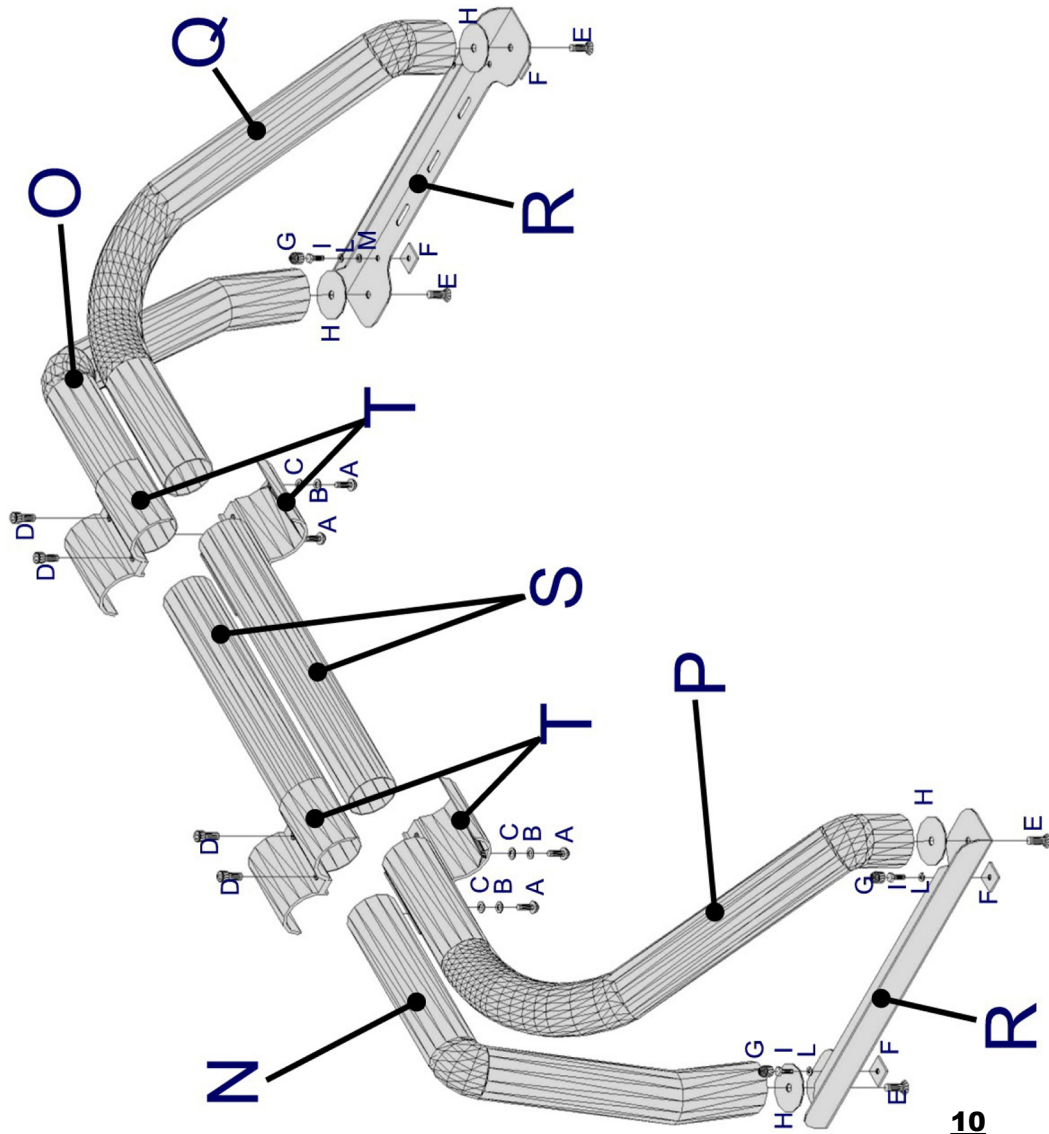
MEDIUM BAR  
EN ACCIER INOX



# ISUZU, NISSAN NAVARA, TOYOTA HILUX, VOLKSWAGEN AMAROK

Part List					
Liste des pièces					
<b>A</b>	 TBCEI 8X25 x 4	 Ø 8 x 4	 Ø 8 x 4	 TCEI 10X25 x 4	 TSPEI M10X25 x 4
<b>F</b>	 M6 x 4	 Cappelletti M 6 x 4	 VIPLA Ø 80 x 4	 TE 6X15 x 4	 BIG Ø 6 GRAND x 4
<b>M</b>	 Ø 6 x 4	<b>N AS7/SX</b> x1	<b>O AS7/DX</b> x1	<b>P PS7/SX</b> x1	<b>Q PS7/DX</b> x1
<b>R RLS/7TR</b> x2	<b>S RLB/06</b> x2	<b>T RLB Ø76</b> x2			

# ISUZU, NISSAN NAVARA, TOYOTA HILUX, VOLKSWAGEN AMAROK



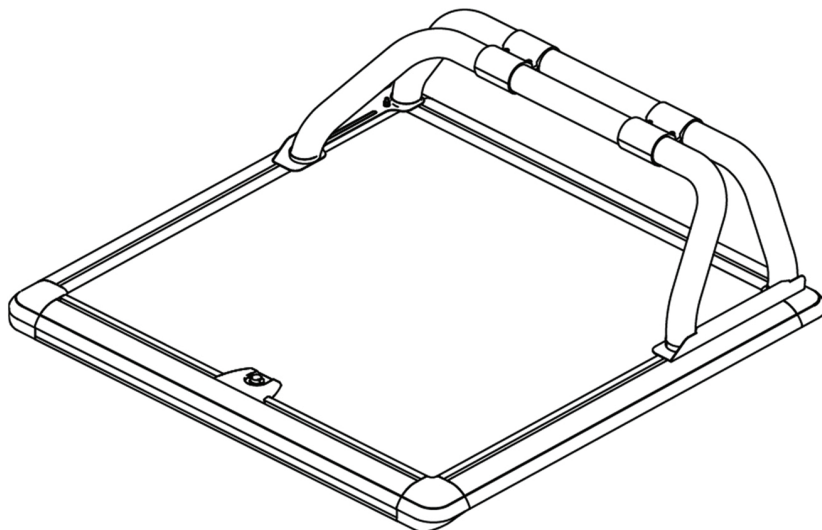
**WARNING:** fit the N and O front bends as shown in the drawing

**ATTENTION:** monter les curves anterieures N et O comme indique dans le dessin.

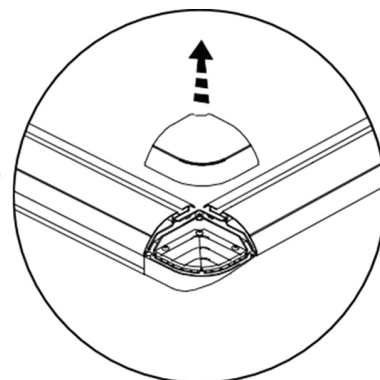
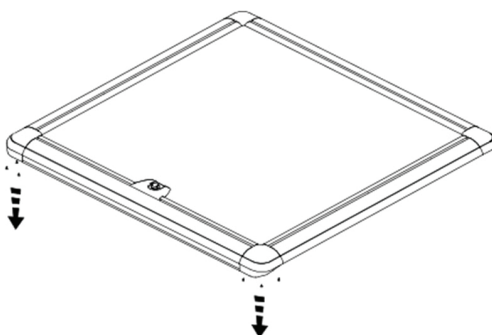
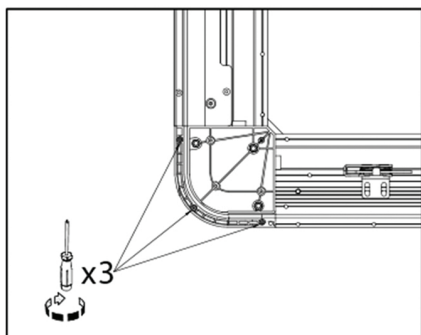
# UpStoneEvolve

INSTALLATION INSTRUCTIONS WITH ROLL BAR

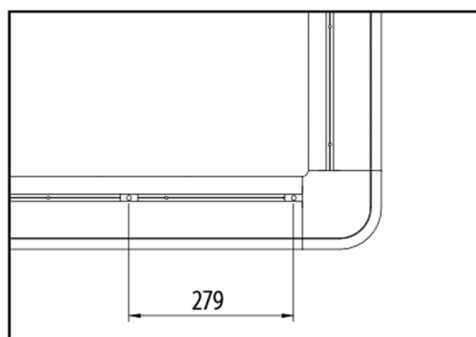
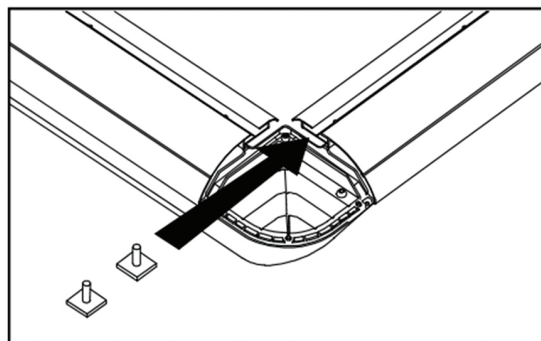
RLB76



- 1** Remove caps by unscrewing the 3 screws in the back corner both left and right.



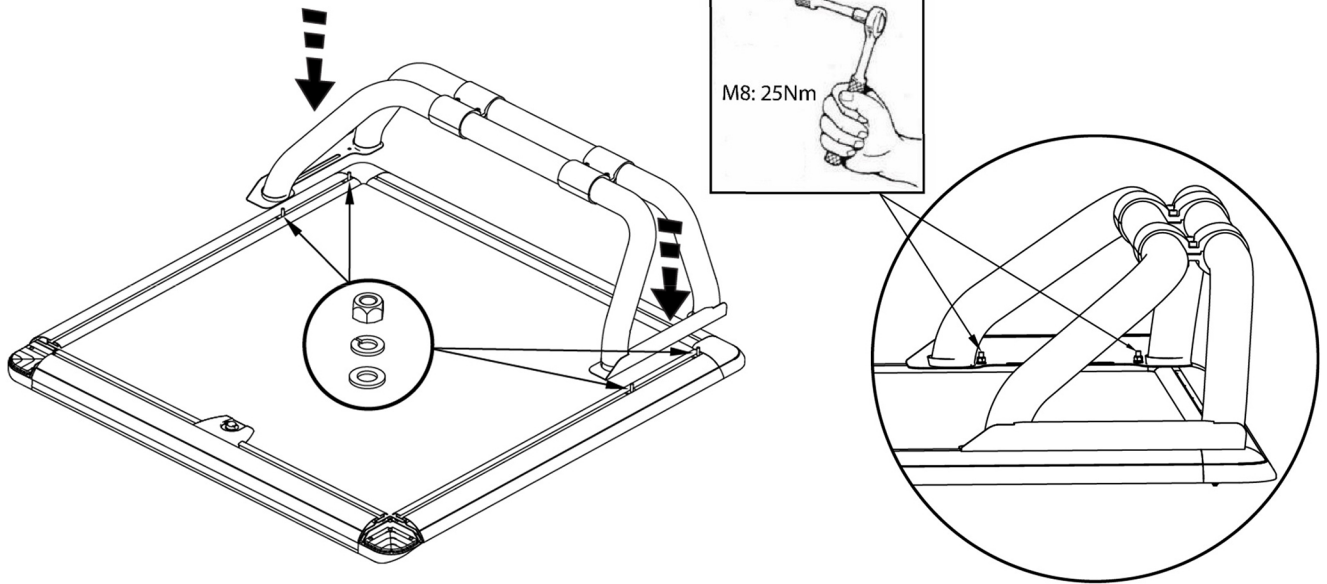
- 2** Insert 2 x Square bolts in both the left and right rails.



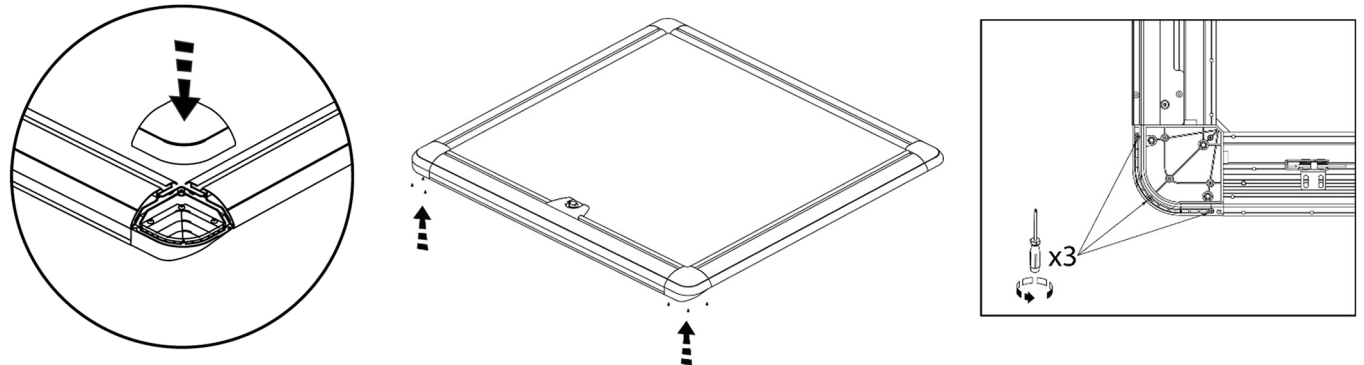
Fitting Kit Number	Product	Revision	Date	Page
RLB76F	Medium SS Bar	1	29.09.2017	1 of 2

**3**

Place the sport bar onto the cover aligning the holes on the foot plate with the square bolts inserts.  
Fix with nut, spring washer and washer.

**4**

Replace the caps on the covers corners



Fitting Kit Number	Product	Revision	Date	Page
RLB76F	Medium SS Bar	1	29.09.2017	2 of 2

**12**

# UpStoneEvolve

Info@upstone.fr